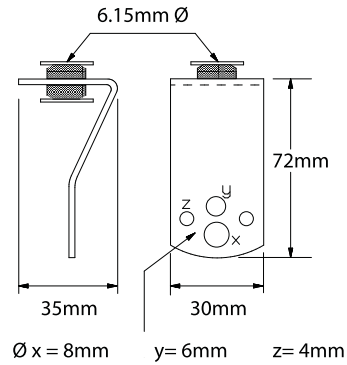


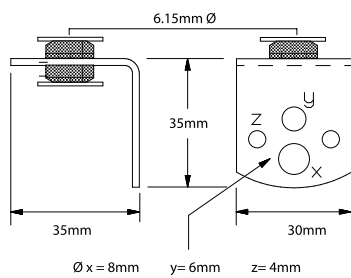
# Acoustic Hangers & Braces



## AH300 Acoustic Hanger With & Without Anchor

Anti-Vibration Ceiling Hanger

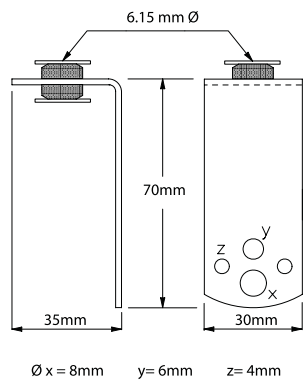
Material Zinc Plated Mild Steel  
 Packed 100 per box  
 Weight per 100 6.00kg



## AH301 35mm Acoustic Hanger With & Without Anchor

Anti-Vibration Ceiling Hanger

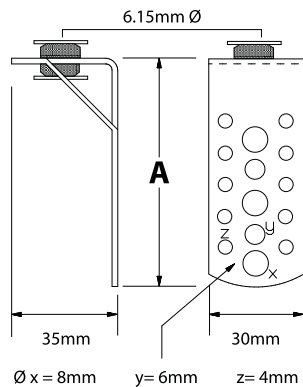
Material Zinc Plated Mild Steel  
 Packed 100 per box  
 Weight per 100 4.50kg



## AH302 70mm Acoustic Hanger With & Without Anchor

Anti-Vibration Ceiling Hanger

Material Zinc Plated Mild Steel  
 Packed 100 per box  
 Weight per 100 6.00kg



## AH303-308 Acoustic Hanger With & Without Anchor

Anti-Vibration Ceiling Hanger (Zinc Plated Mild Steel)

Part No.	A	Weight Per 100	Packed
AH303	150mm	8.60kg	100 per box
AH304	200mm	11.30kg	100 per box
AH305	250mm	13.40kg	100 per box
AH306	300mm	17.20kg	100 per box
AH307	400mm	21.90kg	100 per box
AH308	500mm	22.30kg	100 per box



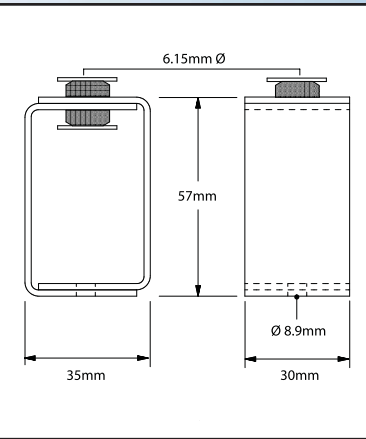
Arthur Hough & Sons Ltd.

Hilton Cross Business Park, Cannock Road, Featherstone, Wolverhampton, WV10 7QZ

Tel: +44 (0) 1902 867718 Fax: +44 (0) 1902 867719

Email: sales@ahough.com Website: www.ahough.com

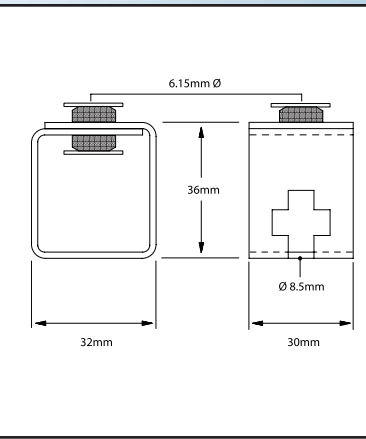
# Acoustic Hangers & Braces



## AH309 Threaded Rod Hanger

Anti-Vibration Ceiling Hanger

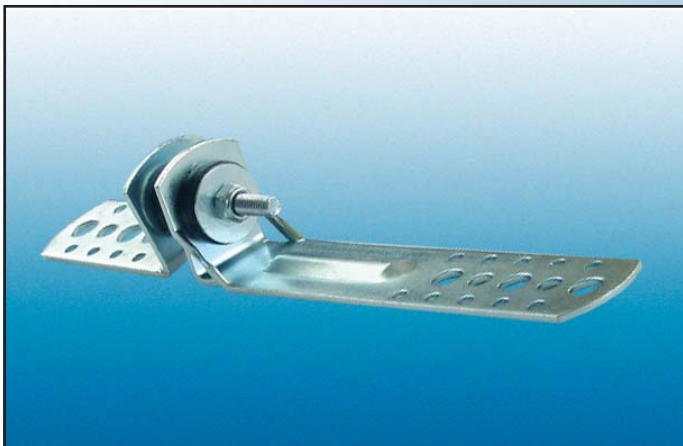
Material Zinc Plated Mild Steel  
 Packed 100 per box  
 Weight per 100 10.00kg



## AH311 Threaded Rod Hanger

Anti-Vibration Ceiling Hanger

Material Zinc Plated Mild Steel  
 Packed 100 per box  
 Weight per 100 6.90kg

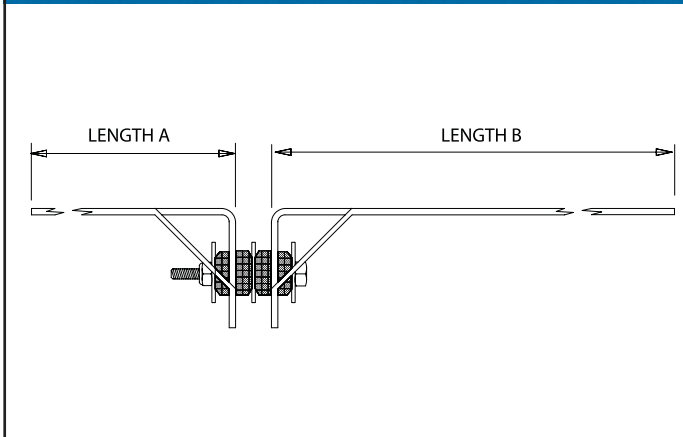


## AH316 35mm/150mm Anti-Vibration Ceiling Hanger

Anti-Vibration Ceiling Hanger

Material Zinc Plated Mild Steel  
 Packed 100 per box  
 Weight per 100 14.30kg

Length A - 35mm  
 Length B - 150mm



## AH317 70mm/150mm Anti-Vibration Ceiling Hanger

Anti-Vibration Ceiling Hanger

Material Zinc Plated Mild Steel  
 Packed 100 per box  
 Weight per 100 15.50kg

Length A - 70mm  
 Length B - 150mm



Arthur Hough & Sons Ltd.

Hilton Cross Business Park, Cannock Road, Featherstone, Wolverhampton, WV10 7QZ

Tel: +44 (0) 1902 867718 Fax: +44 (0) 1902 867719

Email: sales@ahough.com Website: www.ahough.com